

plastpro

5200 W. CENTURY BLVD.
LOS ANGELES, CA 90045

**Smooth / Wood Grain / White Wood Grain
Rustic / Mahogany
Series N Fiberglass Door
INSWING / OUTSWING
"NON-IMPACT"**

GENERAL NOTES

1. This product has been evaluated and is in compliance with the 2010 Florida Building Code (FBC) structural requirements excluding the "High Velocity Hurricane Zone" (HVHZ).
2. Product anchors shall be as listed and spaced as shown on details. Anchor embedment to base material shall be beyond wall dressing or stucco.
3. When used in areas requiring wind borne debris protection this product is required to be protected with an impact resistant covering that complies with Section 1609.1.2 of the FBC.
4. For 2x stud framing construction, anchoring of these units shall be the same as that shown for 2x buck masonry construction.
5. Site conditions that deviate from the details of this drawing require further engineering analysis by a licensed engineer or registered architect.

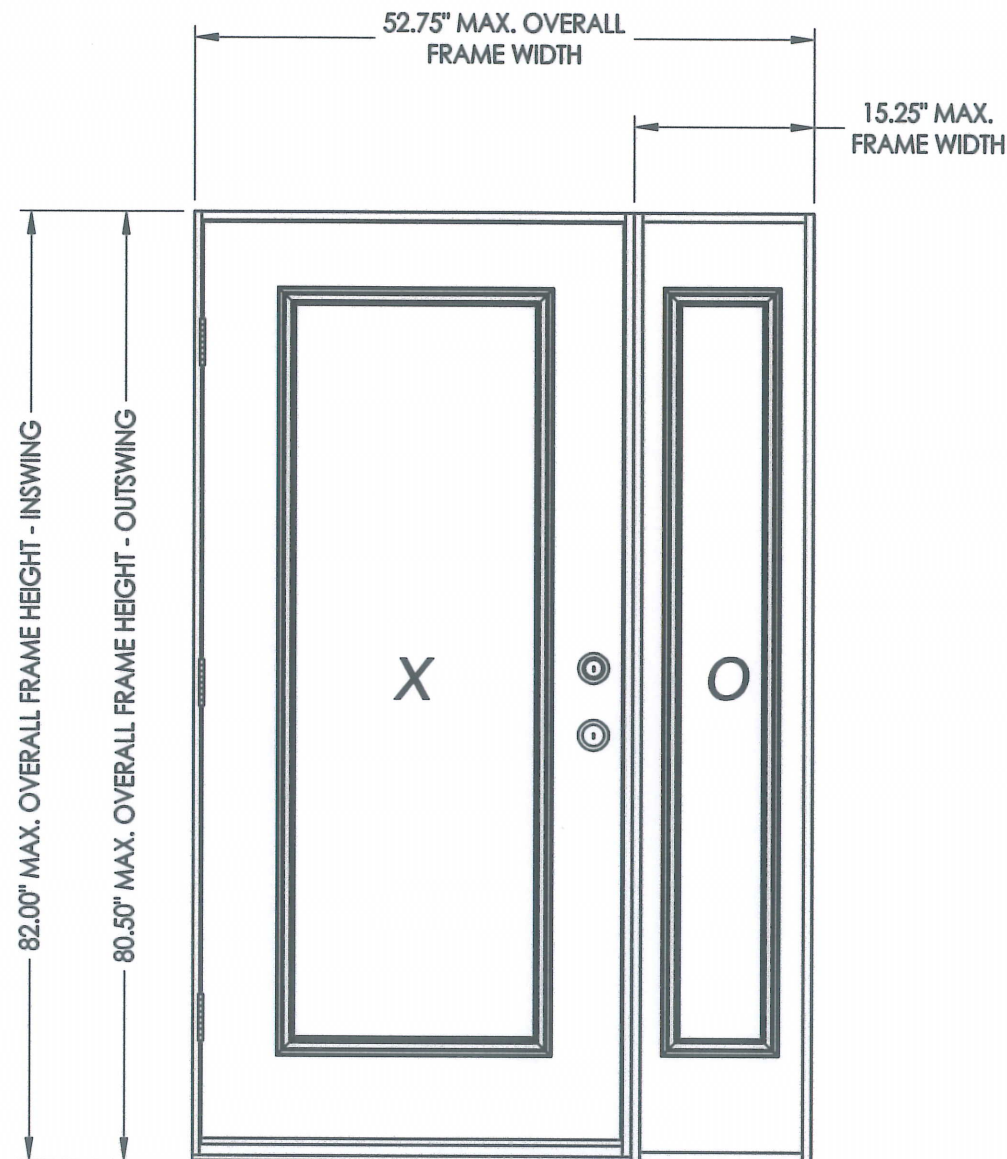


TABLE OF CONTENTS	
SHEET #	DESCRIPTION
1	Typical elevation, design pressures, & general notes
2	Door panel details
3	Sidelite panel details
4	Horizontal cross sections
5	Vertical cross sections
6	Vertical cross sections
7	Buck and frame anchoring - 2X buck masonry construction
8	Frame anchoring - 1X buck masonry construction
9	Bill of materials, glazing detail & components

SWING	OVERALL FRAME DIMENSION	DOOR D.L.O. DIMENSION	SIDELITE D.L.O. DIMENSION	GLASS TYPE	DESIGN PRESSURE (PSF)	
					POSITIVE	NEGATIVE
INSWING	52.75" x 82.00"	21.00" x 63.00"	7.00" x 63.00"	G1	+48.0	-50.0
OUTSWING	52.75" x 80.50"	21.00" x 63.00"	7.00" x 63.00"		+50.0	-50.0

Documents Prepared By:

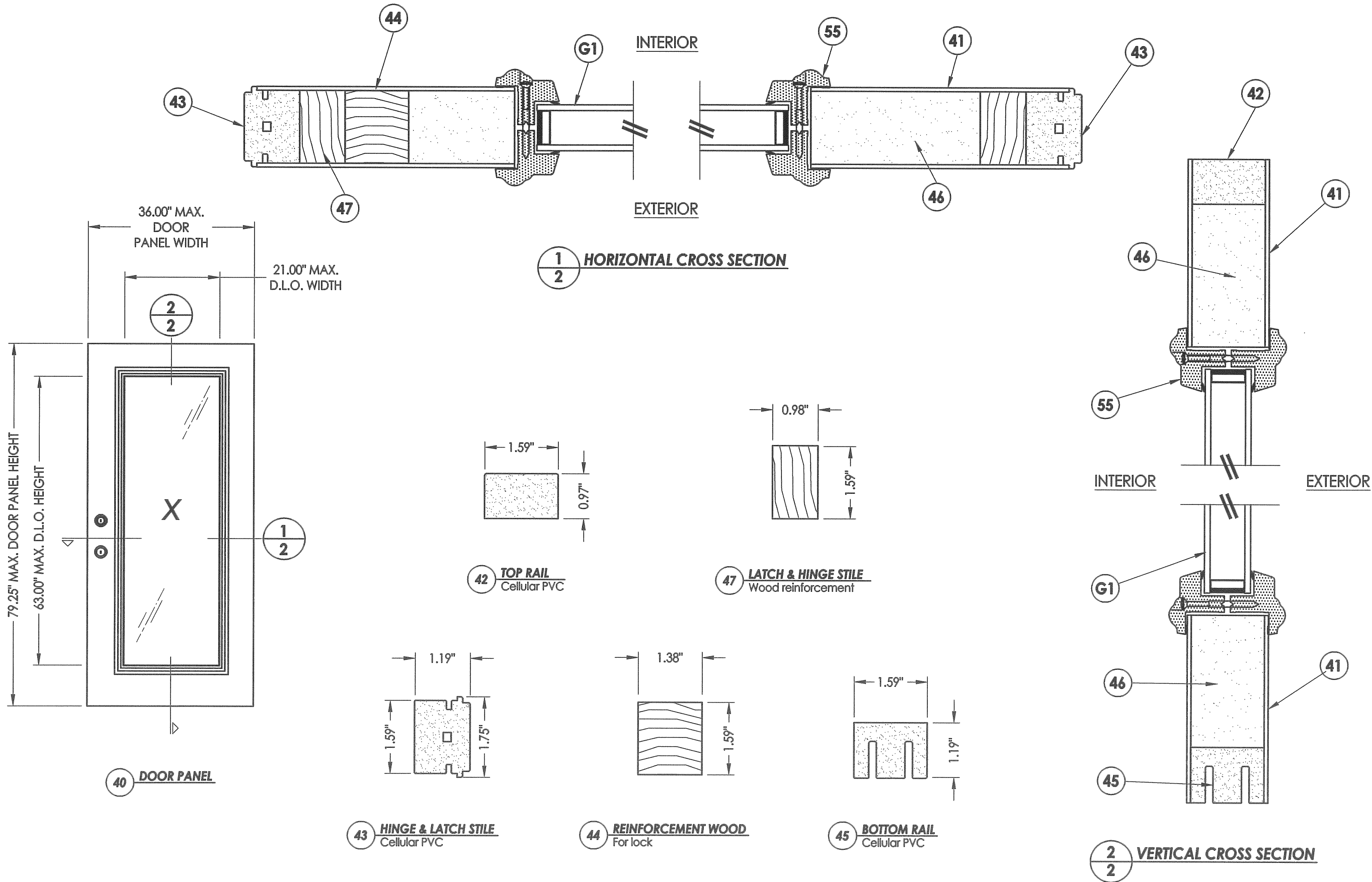
RW BUILDING CONSULTANTS, INC.
P.O. Box 230 Vairico FL 33595
Phone No.: 813.659.9197
Florida Board of Professional Engineers
Certificate Of Authorization No. 9813
LSD 2-6-12
Lyndon F. Schmidt, P.E. No. 43409

PRODUCT: PLASTPRO INC. FIBERGLASS DOOR

PART OR ASSEMBLY: TYPICAL ELEVATION, DESIGN PRESSURES & GENERAL NOTES

NO.	DATE	BY	REVISIONS

DATE: 02/16/12
SCALE: N.T.S.
DWG. BY: JK
CHK. BY: LFS
DRAWING NO.: FL-15213.15
SHEET 1 OF 9

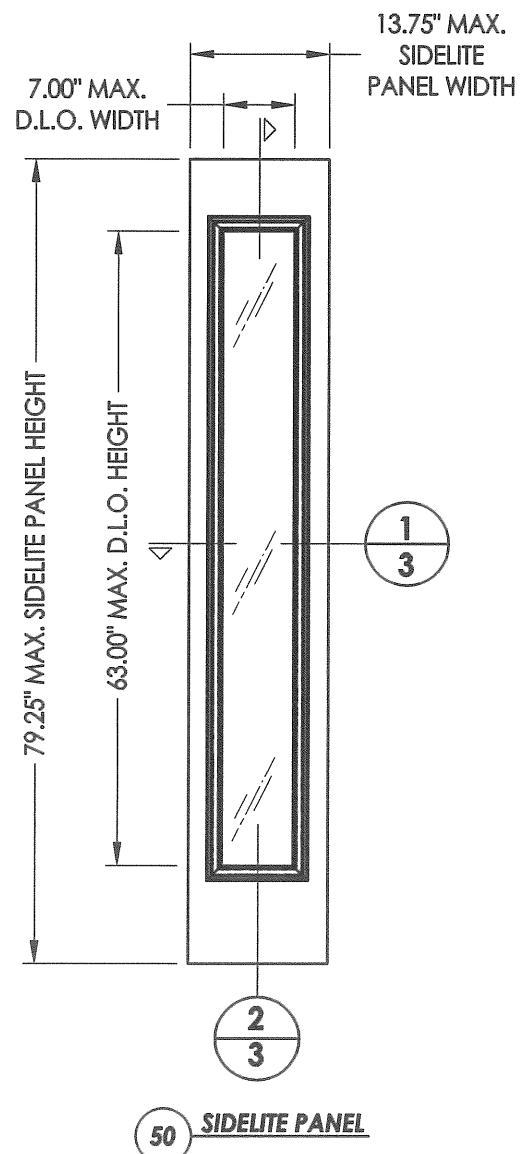


Documents Prepared By:
RW BUILDING CONSULTANTS, INC.
 P.O. Box 230 Valrico FL, 33595
 Phone No.: 813.659.9197
 Florida Board of Professional Engineers
 Certificate Of Authorization No. 9813
 Lyndon F. Schmidt, P.E. No. 43409

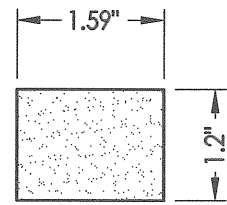
PRODUCT: PLASTPRO INC. FIBERGLASS DOOR
 PART OR ASSEMBLY: DOOR PANEL DETAILS

NO.	DATE	BY

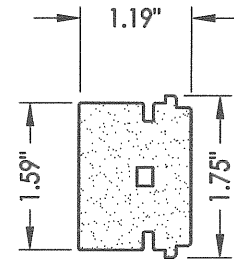
DATE: 02/16/12
 SCALE: N.T.S.
 DWG. BY: JK
 CHK. BY: LFS
 DRAWING NO.: FL-15213.15
 SHEET 2 OF 9



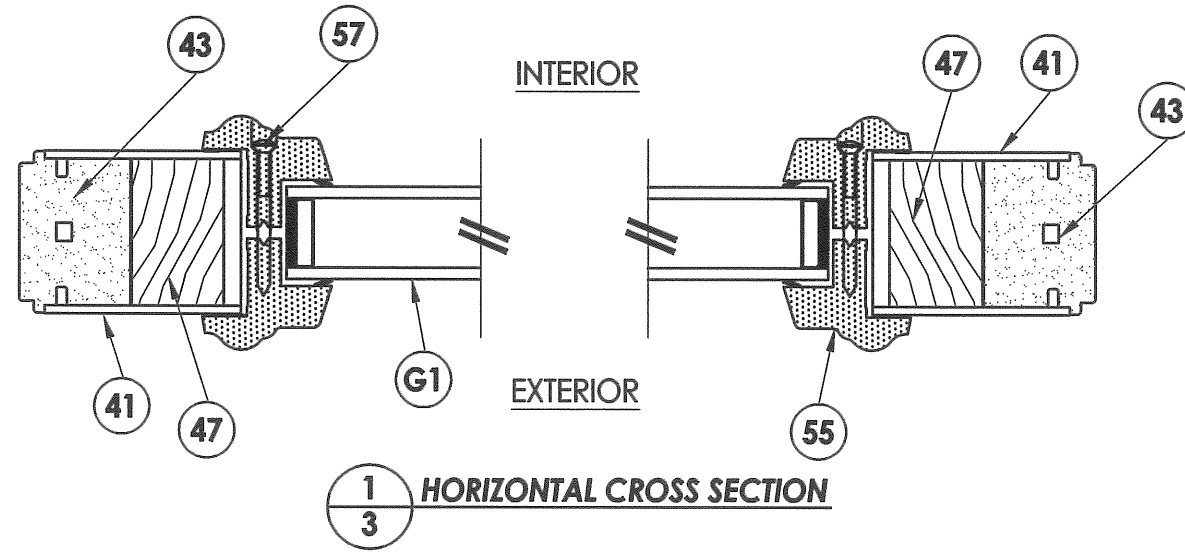
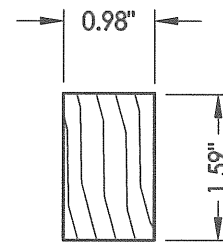
51 SIDELITE TOP & BOTTOM RAIL
Cellular PVC



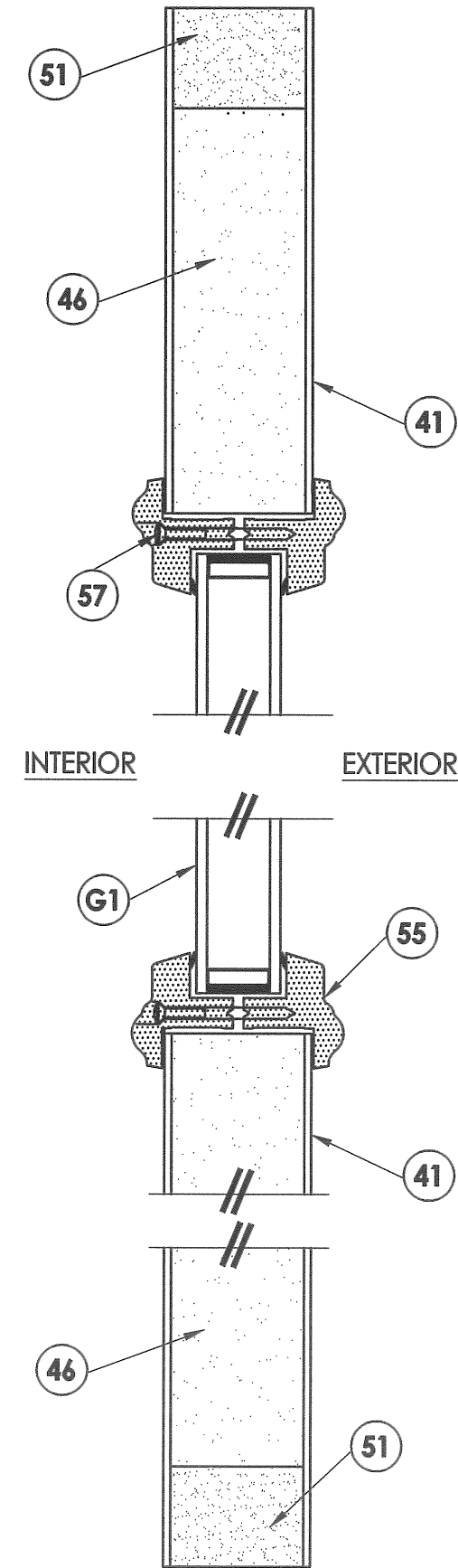
43 HINGE & LATCH STILE
Sidelite stile
Cellular PVC



47 LATCH & HINGE STILE
Sidelite stile
Wood reinforcement



1
3 HORIZONTAL CROSS SECTION



2
3 VERTICAL CROSS SECTION

PRODUCT:

PLASTPRO INC.
FIBERGLASS DOOR

PART OR ASSEMBLY:

SIDELITE PANEL DETAILS

DATE: 02/16/12

SCALE: N.T.S.

DWG. BY: JK

CHK. BY: LFS

DRAWING NO.:

FL-15213.15

SHEET 3 OF 9

Documents Prepared By:

RW BUILDING CONSULTANTS, INC.

P.O. Box 230 Vairico FL 33595

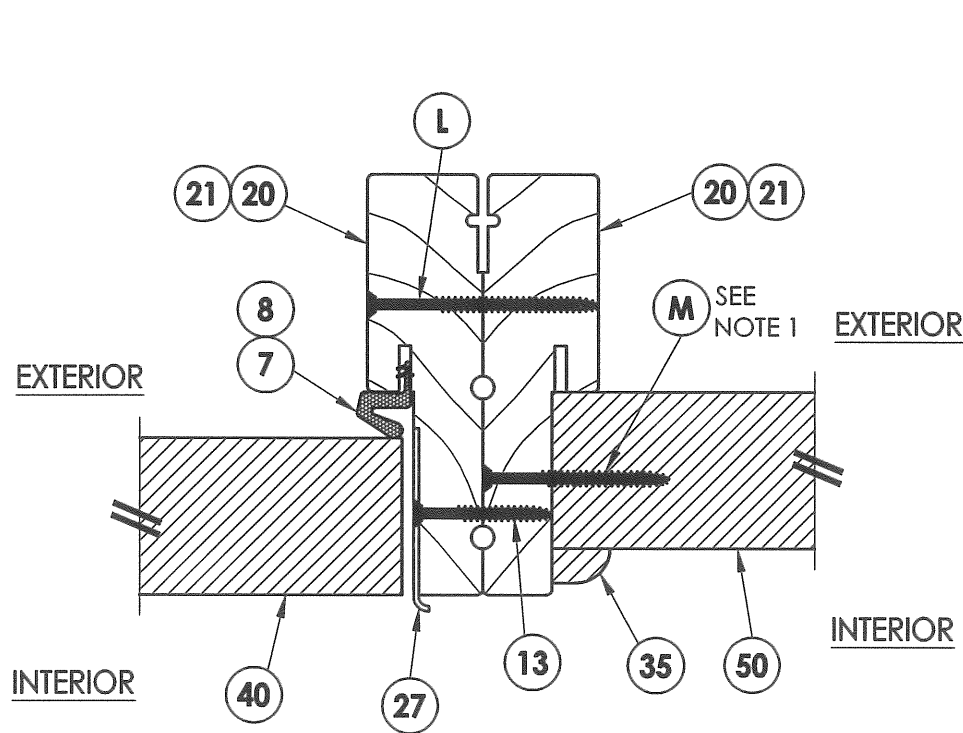
Phone No.: 813.659.9197

Florida Board of Professional Engineers

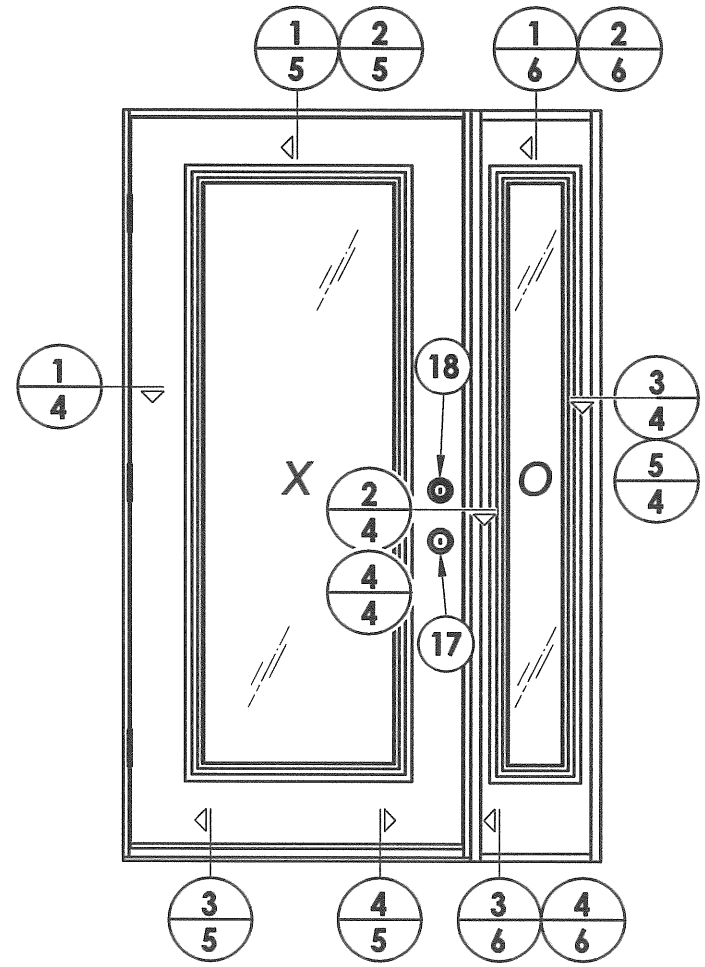
Certificate of Authorization No. 9813

Lynden F. Schmidt, P.E. No. 43409

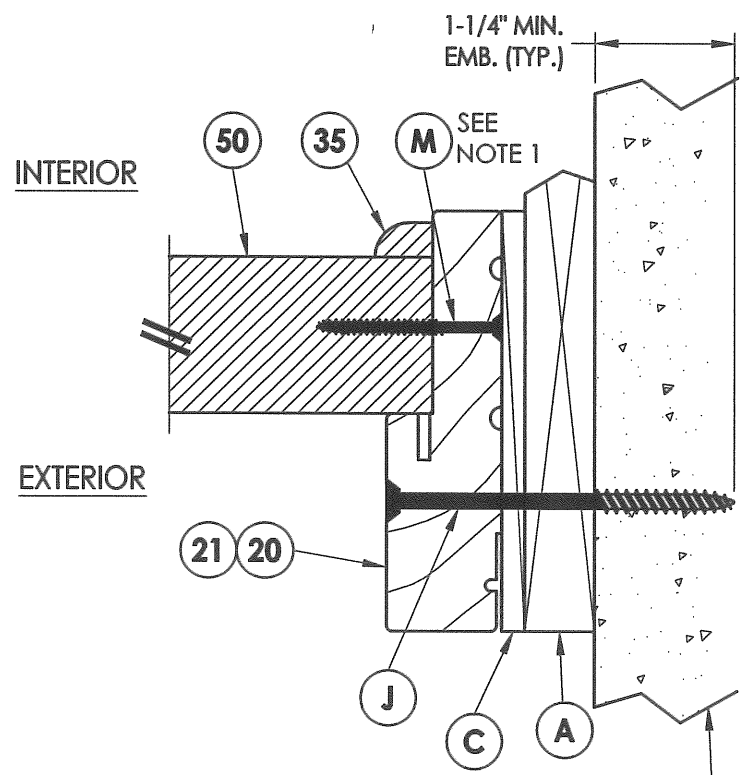
R:\A - Projects\Project Folders\proj 1501 - 1600\PF 1587\D. RWBC Drawings\2010\FL-15213.12-18.dwg, 4.15



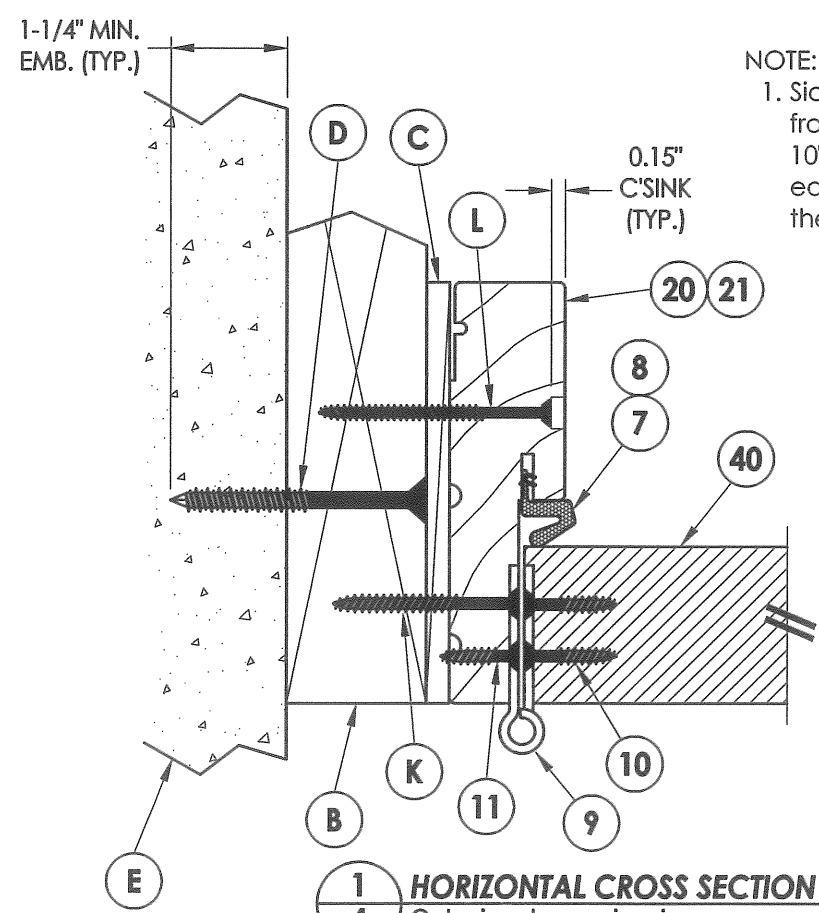
4 HORIZONTAL CROSS SECTION
4 Inswing configuration



2 HORIZONTAL CROSS SECTION
4 Outswing configuration

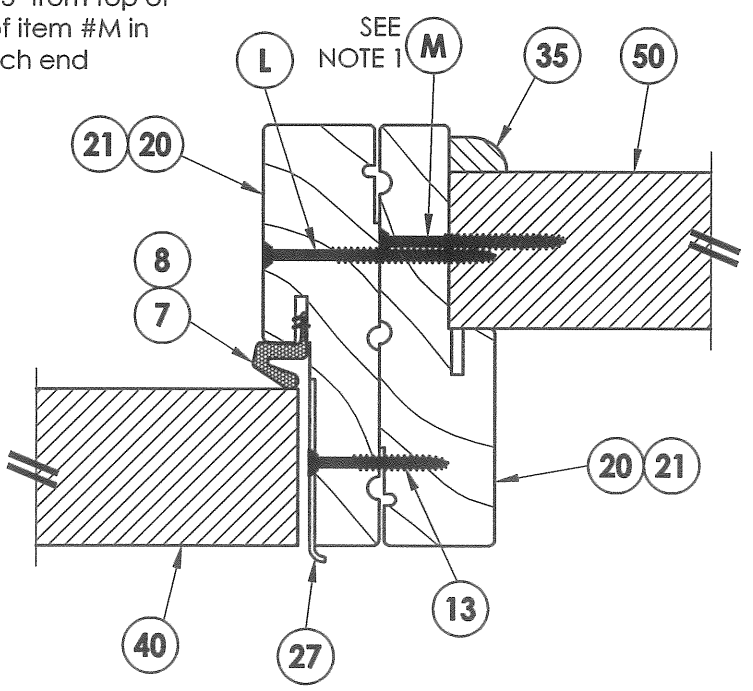


5 HORIZONTAL CROSS SECTION
4 Shown w/1X sub-buck

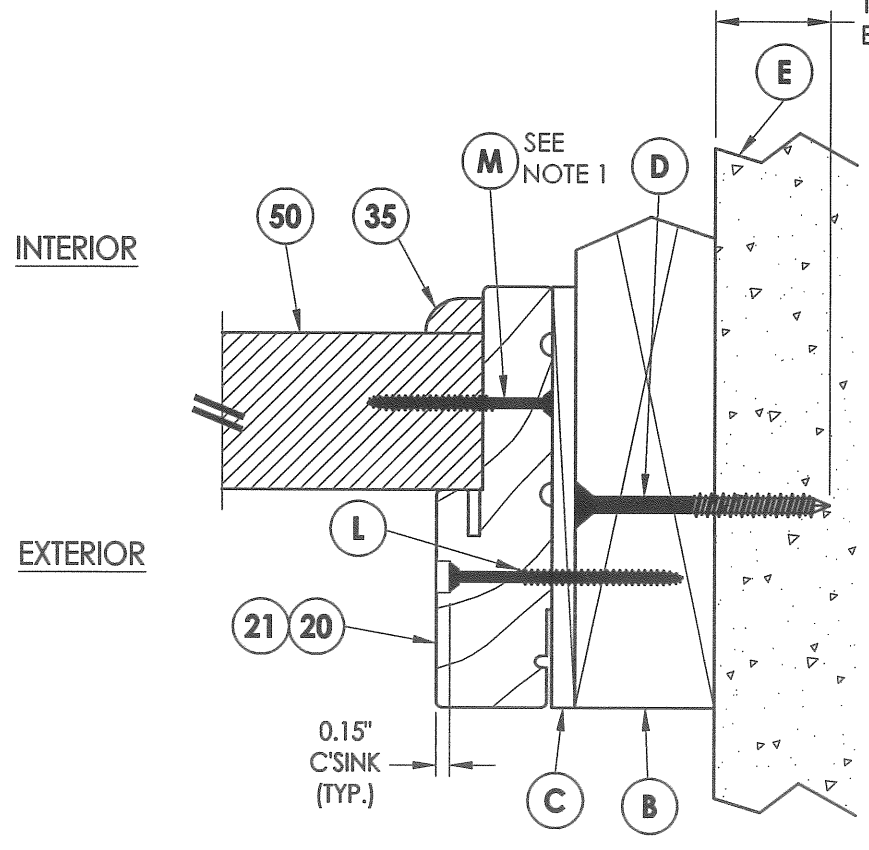


1 HORIZONTAL CROSS SECTION
4 Outswing shown - inswing also approved

NOTE:
 1. Sidelite panel secured to the sidelite frame with (4) of item #M located 10", 30.5", 51" and 71.5" from top of each jamb and (2) of item #M in the head, 3" from each end



2 HORIZONTAL CROSS SECTION
4 Outswing configuration



3 HORIZONTAL CROSS SECTION
4 Outswing shown - inswing also approved

Documents Prepared By: **RW BUILDING CONSULTANTS, INC.**
 P.O. Box 230 Valrico FL 33595
 Phone No.: 813.659.9197
 Florida Board of Professional Engineers
 Certificate Of Authorization No. 9813
 Lyndon F. Schmidt, P.E. No. 43409

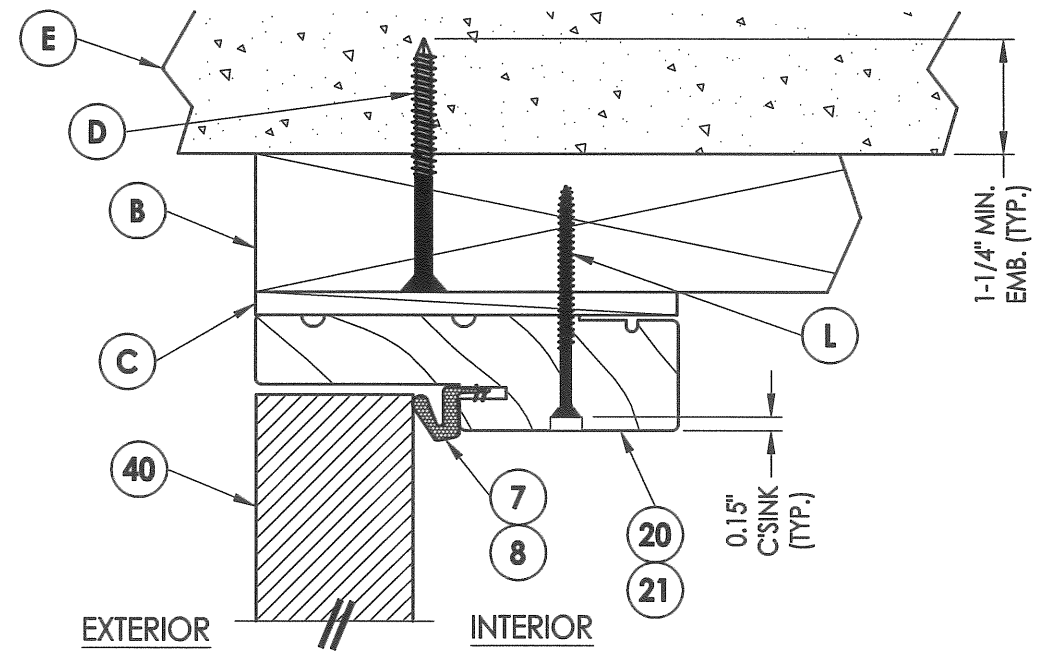
PRODUCT: **PLASTPRO INC. FIBERGLASS DOOR**
 PART OR ASSEMBLY: **HORIZONTAL CROSS SECTIONS**

NO.	DATE	BY	REVISIONS

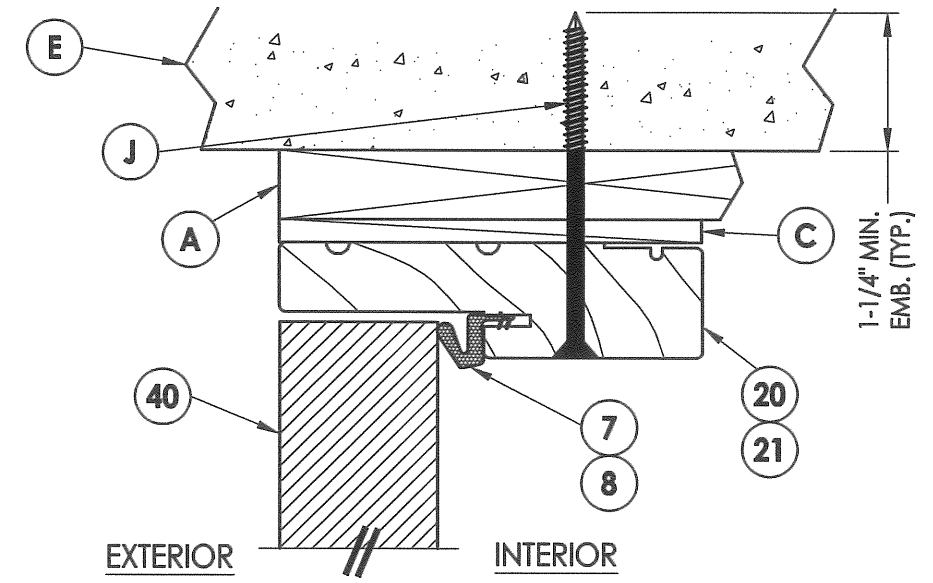
DATE: 02/16/12
 SCALE: N.T.S.
 DWG. BY: JK
 CHK. BY: LFS
 DRAWING NO.: FL-15213.15
 SHEET 4 OF 9

© 2012 R.W. BUILDING CONSULTANTS INC.

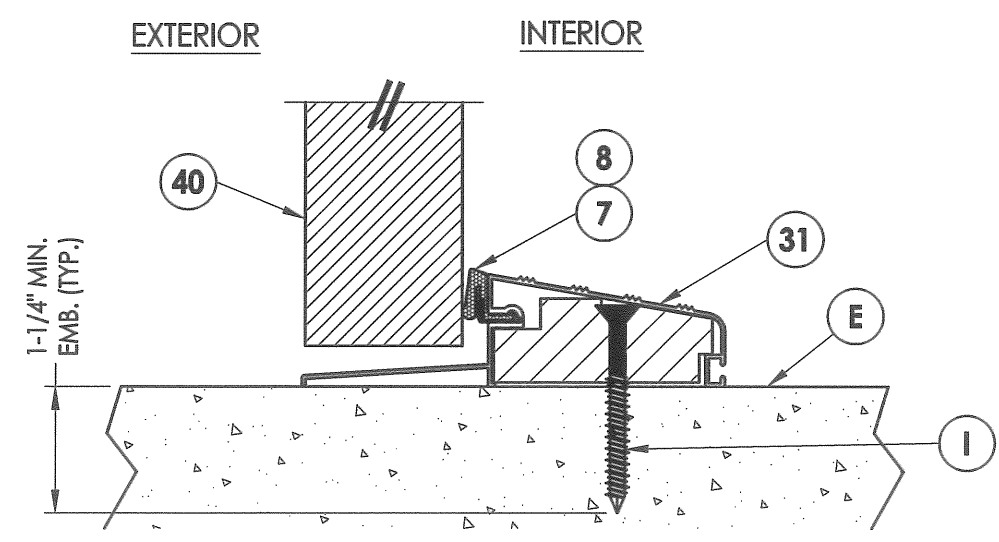
R:\A - Projects\Project Folders\proj 1501 - 1600\PF 1587\D. RWBC Drawings\2010\FL-15213.12-18.dwg, 5.15



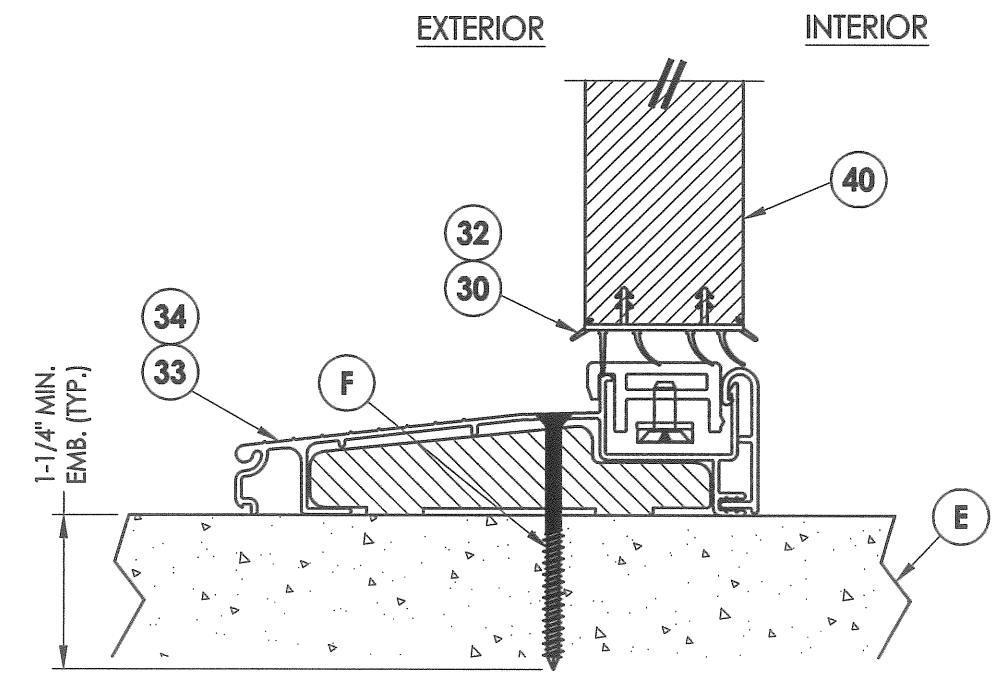
1 VERTICAL CROSS SECTION
5 Outswing shown - inswing also approved



2 VERTICAL CROSS SECTION
5 Shown w/1X sub-buck



3 VERTICAL CROSS SECTION
5 Outswing configuration



4 VERTICAL CROSS SECTION
5 Inswing configuration

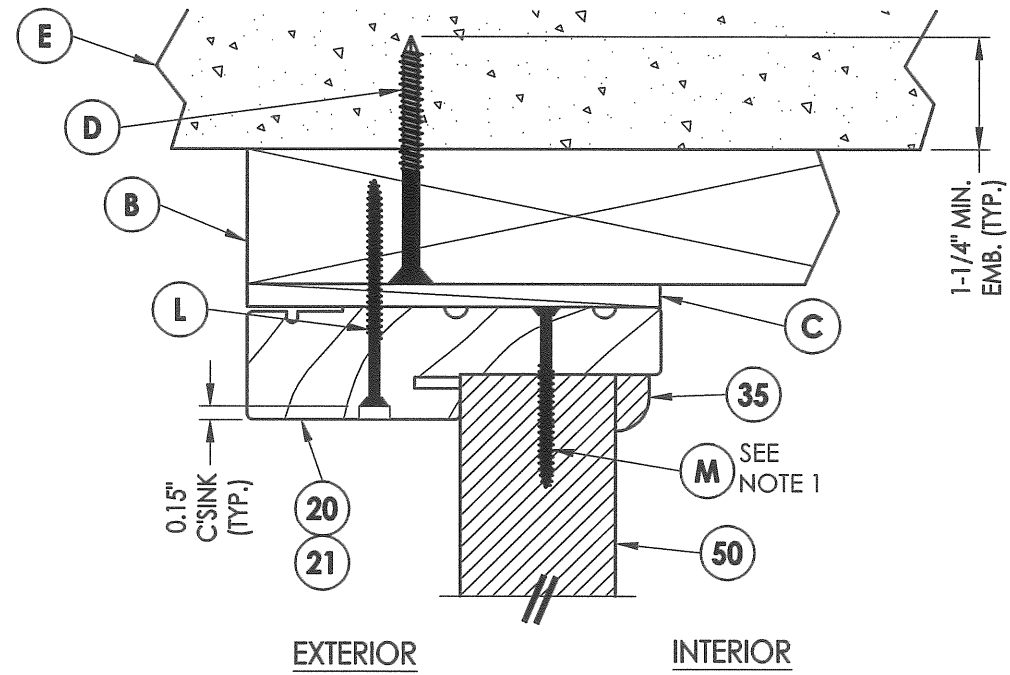
Documents Prepared By: **RW BUILDING CONSULTANTS, INC.**
 P.O. Box 230 Vairico FL, 33595
 Phone No.: 813.659.9197
 Florida Board of Professional Engineers
 Certificate Of Authorization No. 9813
 2.17.12
 Lyndon F. Schmidt, P.E. No. 43409

PRODUCT: **PLASTPRO INC. FIBERGLASS DOOR**
 PART OR ASSEMBLY: **VERTICAL CROSS SECTIONS**

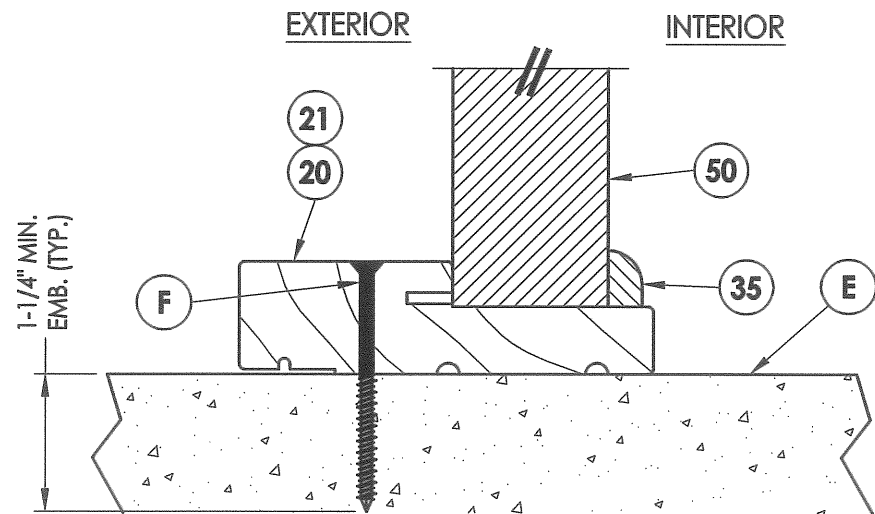
NO.	DATE	BY	REVISIONS

DATE: 02/16/12
 SCALE: N.T.S.
 DWG. BY: JK
 CHK. BY: LFS
 DRAWING NO.: FL-15213.15
 SHEET 5 OF 9

© 2012 R.W. BUILDING CONSULTANTS INC.

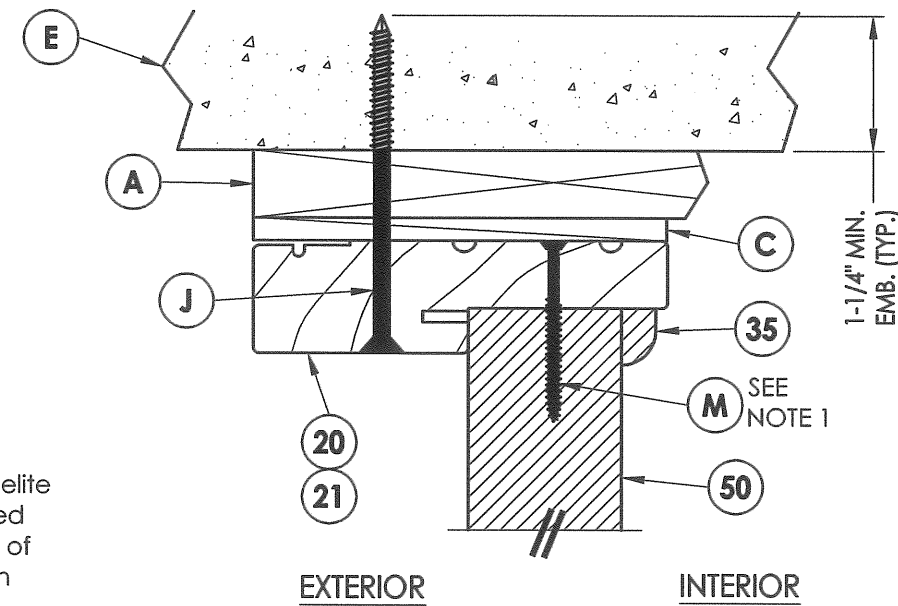


1 VERTICAL CROSS SECTION
6 Outswing shown - inswing also approved

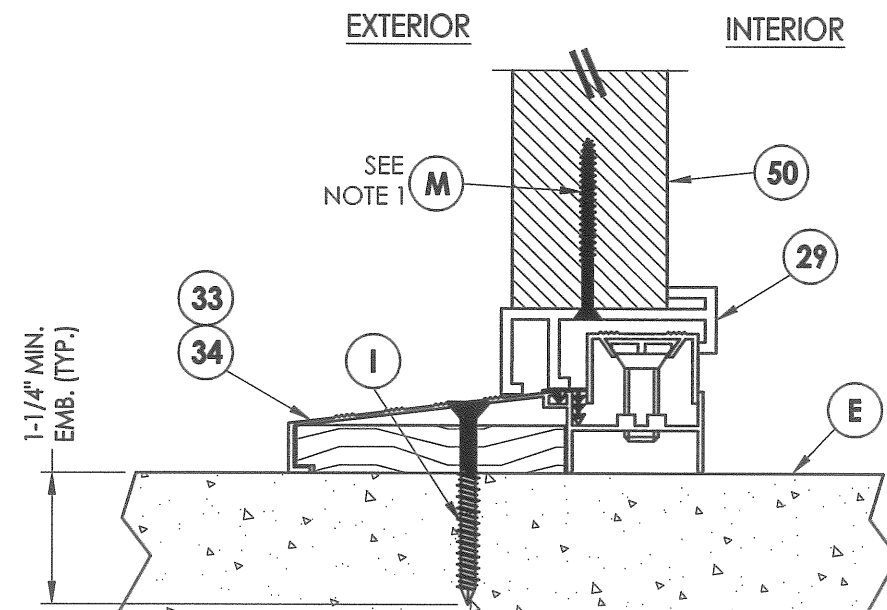


3 VERTICAL CROSS SECTION
6 Outswing shown - inswing also approved

NOTE:
 1. Sidelite panel secured to the sidelite frame with (4) of item #M located 10", 30.5", 51" and 71.5" from top of each jamb and (2) of item #M in the head, 3" from each end

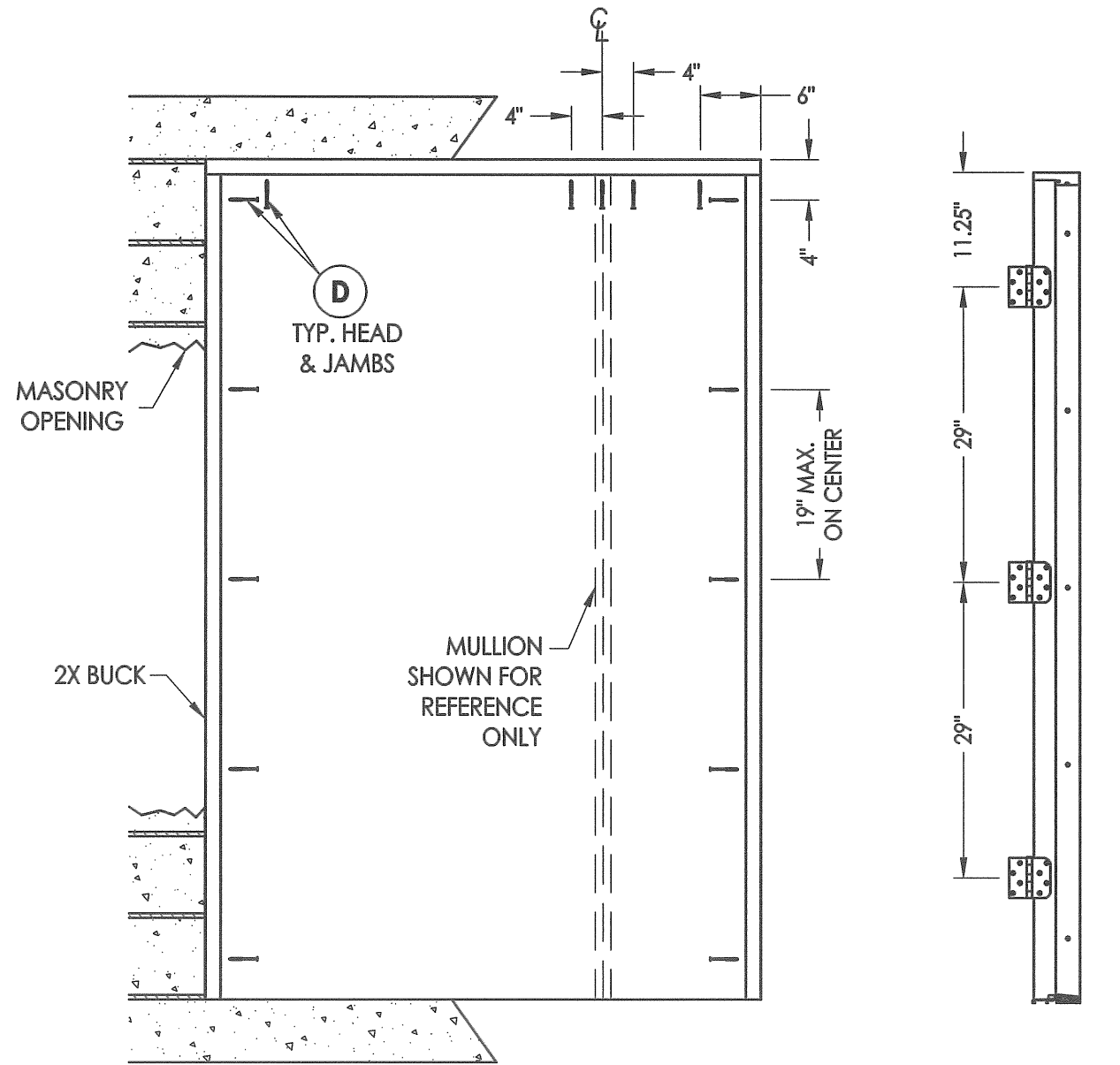


2 VERTICAL CROSS SECTION
6 Shown w/1X sub-buck



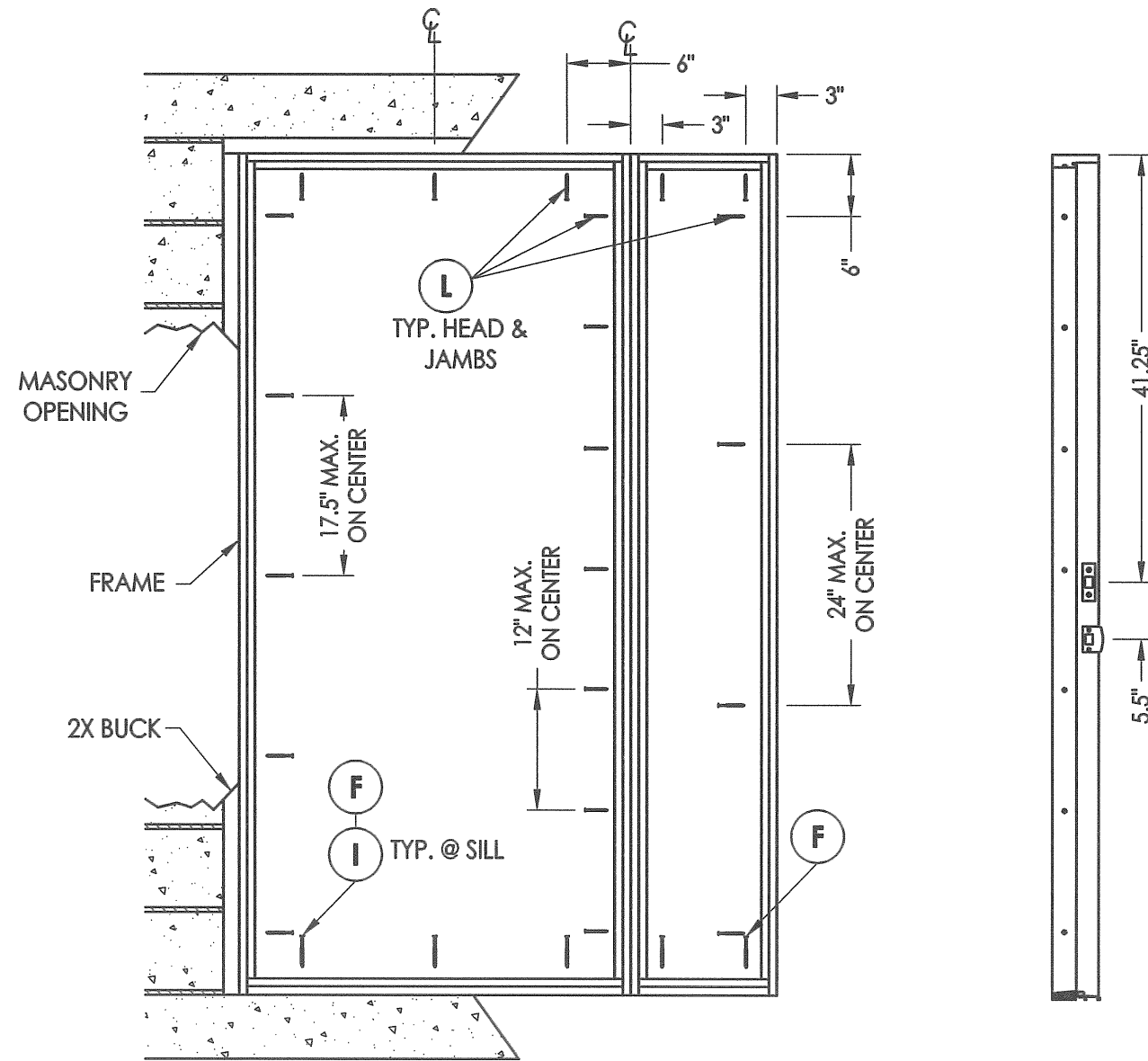
4 VERTICAL CROSS SECTION
6 Inswing configuration

Documents Prepared By:		R.W. BUILDING CONSULTANTS, INC. P.O. Box 230 Vairico FL 33595 Phone No.: 813.659.9197 Florida Board of Professional Engineers Certificate Of Authorization No. 98473 Lyndon F. Schmidt, P.E. No. 43409	
PRODUCT:	PLASTPRO INC. FIBERGLASS DOOR	VERTICAL CROSS SECTIONS	
PART OR ASSEMBLY:		NO.	DATE
		BY	
		REVISIONS	
		NO.	DATE
		BY	
DATE: 02/16/12		SCALE: N.T.S.	
DWG. BY: JK		CHK. BY: LFS	
DRAWING NO.: FL-15213.15		SHEET 6 OF 9	



BUCK ANCHORING

HINGE JAMB



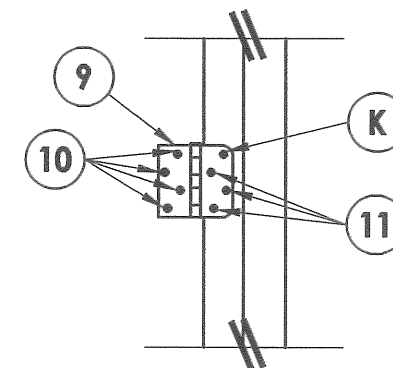
FRAME ANCHORING
Masonry 2X buck construction

STRIKE JAMB

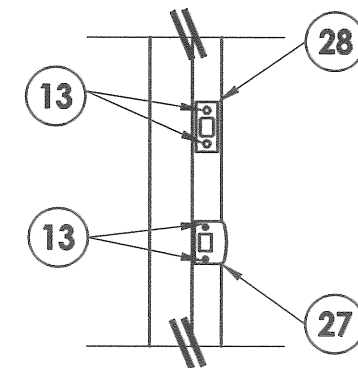
CONCRETE ANCHOR NOTES:

1. Substitution of equal concrete anchors from a different supplier may have different edge distance and center distance requirements.
2. Concrete anchor locations at the corners may be adjusted to maintain the min. edge distance to mortar joints. If concrete anchor locations noted as "MAX. ON CENTER" must be adjusted to maintain the min. edge distance to mortar joints, additional concrete anchors may be required to ensure the "MAX. ON CENTER" dimensions are not exceeded.
3. Concrete anchor table:

ANCHOR TYPE	ANCHOR SIZE	MIN. EMBEDMENT	MIN. CLEARANCE TO MASONRY EDGE	MIN. CLEARANCE TO ADJACENT ANCHOR
ITW	1/4"	1-1/4"	2-1/2"	3"
ELCO	1/4"	1-1/4"	1"	4"



HINGE DETAIL



LATCH & DEADBOLT DETAIL

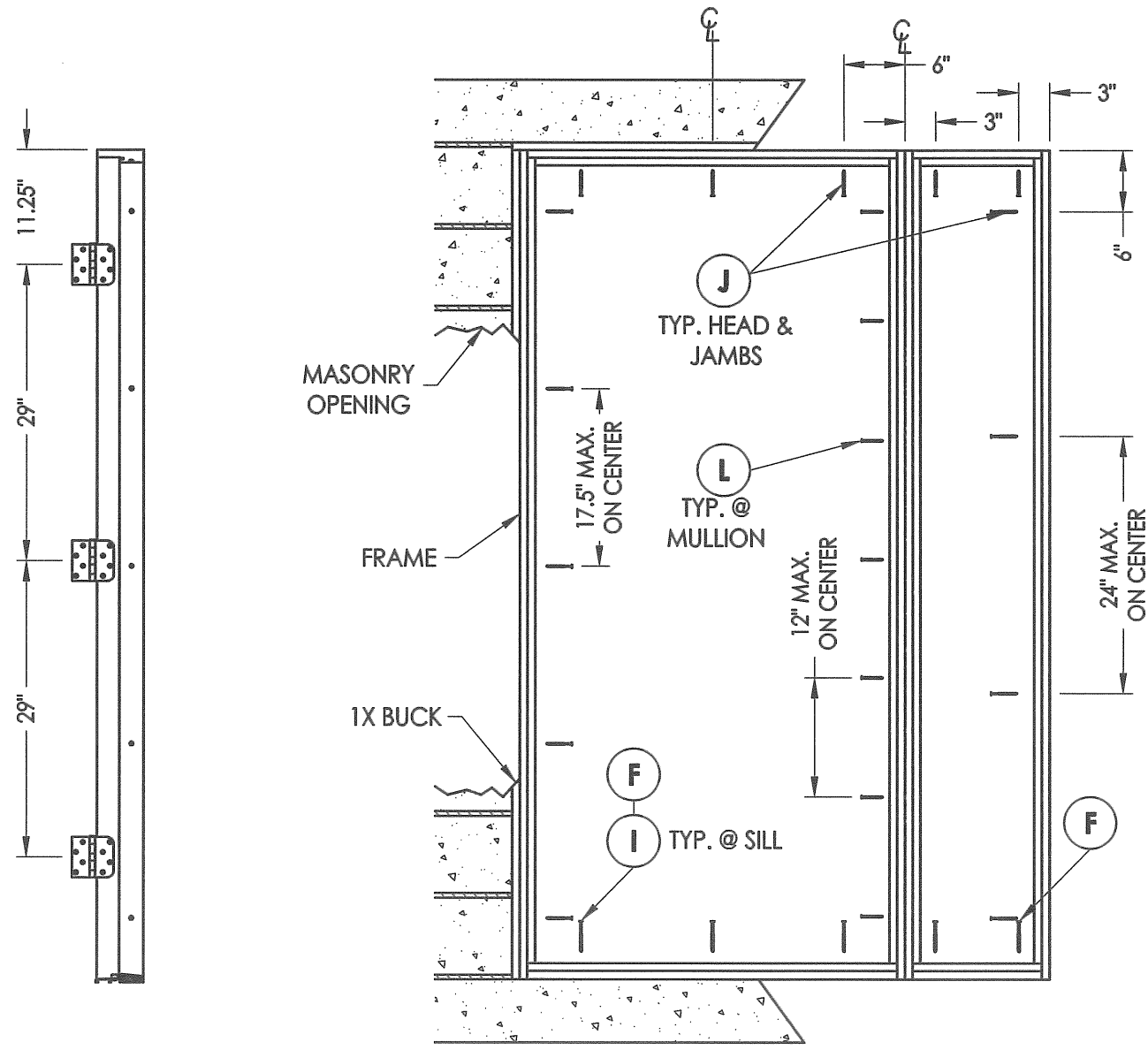
Documents Prepared By:

RW BUILDING CONSULTANTS, INC.
P.O. Box 230 Valrico FL 33595
Phone No.: 813.659.9197
Florida Board of Professional Engineers
Certificate Of Authorization No. 9813
Lyndon F. Schmidt, P.E. No. 43409

PRODUCT: PLASTPRO INC. FIBERGLASS DOOR
PART OR ASSEMBLY: BUCK AND FRAME ANCHORING 2X BUCK MASONRY CONSTRUCTION

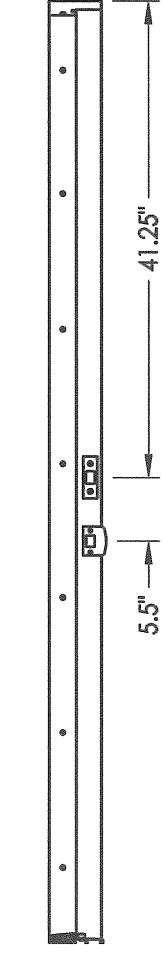
NO.	DATE	BY	REVISIONS

DATE: 02/16/12
SCALE: N.T.S.
DWG. BY: JK
CHK. BY: LFS
DRAWING NO.: FL-15213.15
SHEET 7 OF 9

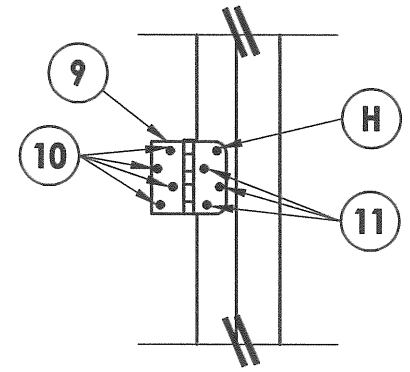


HINGE JAMB

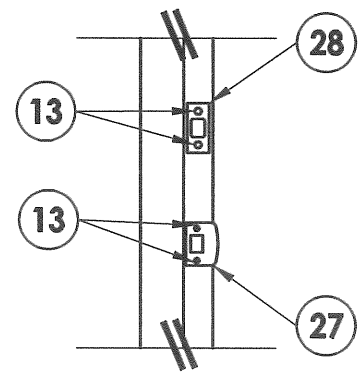
FRAME ANCHORING
Masonry 1X buck construction



STRIKE JAMB



HINGE DETAIL



LATCH & DEADBOLT DETAIL

CONCRETE ANCHOR NOTES:

1. Substitution of equal concrete anchors from a different supplier may have different edge distance and center distance requirements.
2. Concrete anchor locations at the corners may be adjusted to maintain the min. edge distance to mortar joints. If concrete anchor locations noted as "MAX. ON CENTER" must be adjusted to maintain the min. edge distance to mortar joints, additional concrete anchors may be required to ensure the "MAX. ON CENTER" dimensions are not exceeded.
3. Concrete anchor table:

ANCHOR TYPE	ANCHOR SIZE	MIN. EMBEDMENT	MIN. CLEARANCE TO MASONRY EDGE	MIN. CLEARANCE TO ADJACENT ANCHOR
ITW	1/4"	1-1/4"	2-1/2"	3"
ITW	3/16"	1-1/4"	2-5/8"	2-1/4"

Documents Prepared By:
RW BUILDING CONSULTANTS, INC.
 P.O. Box 230 Vairico FL 33595
 Phone No.: 813.659.9197
 Florida Board of Professional Engineers
 Certificate Of Authorization No. 9813
 Lyndon F. Schmidt, P.E. No. 43409

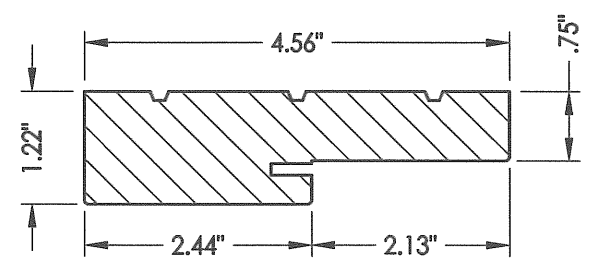
PRODUCT: PLASTPRO INC. FIBERGLASS DOOR
 PART OR ASSEMBLY: FRAME ANCHORING 1X BUCK MASONRY CONSTRUCTION

NO.	DATE	BY	REVISIONS

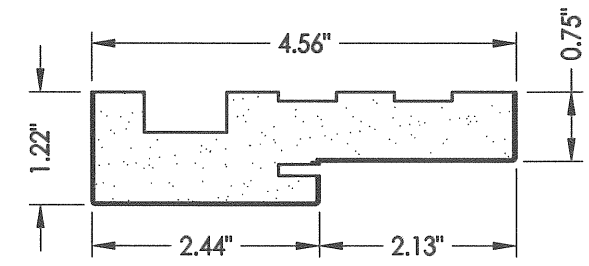
DATE: 02/16/12
 SCALE: N.T.S.
 DWG. BY: JK
 CHK. BY: LFS
 DRAWING NO.: FL-15213.15
 SHEET 8 OF 9

R:\A - Projects\Project Folders\proj_1501 - 1600\PE-1587\D-RWBC-Drawings\2010\FL-15213.12-18.dwg_9.15

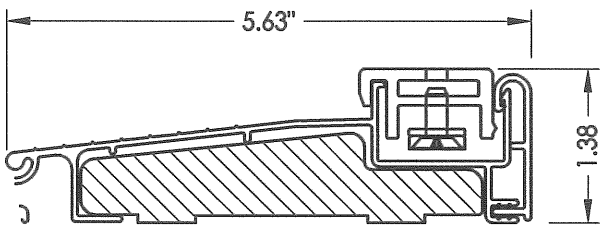
BILL OF MATERIALS		
ITEM	DESCRIPTION	MATERIAL
A	1X BUCK SG >= 0.55	WOOD
B	2X BUCK SG >= 0.55	WOOD
C	1/4" MAX. SHIM SPACE	-
D	1/4" X 2-3/4" PFH ELCO OR ITW CONCRETE SCREW	STEEL
E	MASONRY - 3,192 PSI MIN. CONCRETE CONFORMING TO ACI 301 OR HOLLOW BLOCK CONFORMING TO ASTM C90	CONCRETE
F	1/4" X 2-3/4" PFH ITW CONCRETE SCREW	STEEL
H	1/4" x 3-1/4" PFH ITW CONCRETE SCREW	STEEL
I	1/4" X 2-1/4" PFH ITW CONCRETE SCREW	STEEL
J	1/4" X 3-3/4" PFH ITW CONCRETE SCREW	STEEL
K	#10 X 2" PFH WOOD SCREW	STEEL
L	#8 X 2-1/2" PFH WOOD SCREW	STEEL
M	#8 X 2" PFH WOOD SCREW	STEEL
7	FORCE 5 WEATHER STRIPPING BY ENDURA	FOAM
8	COMPRESSION WEATHER STRIP QLON 650 BY SCHLEGEL	FOAM
9	4" X 4" BUTT HINGE	STEEL
10	#9 X 1" PFH WOOD SCREW	STEEL
11	#9 X 3/4" PFH WOOD SCREW	STEEL
13	#8 X 1-1/2" PFH WOOD SCREW	STEEL
17	KWIKSET KEYED ENTRY - SIGNATURE SERIES	STEEL
18	KWIKSET DEADBOLT - SIGNATURE SERIES (780)	STEEL
20	FINGER JOINTED PINE FRAME, HEAD & HINGE JAMBS	WOOD
21	POLYFIBER JAMB	COMP. / VINYL
27	LATCH STRIKE PLATE	STEEL
28	DEADBOLT STRIKE PLATE	STEEL
29	SIDELITE SPACER	PVC
30	INSWING VINYL DOOR BOTTOM SWEEP BY ENDURA	VINYL
31	OUTSWING BUMP THRESHOLD	ALUM.
32	VINYL DOOR BOTTOM SWEEP #3628 BY HOLM IND.	PVC
33	INSWING ADJUSTABLE THRESHOLD BY ENDURA	ALUM. / WOOD
34	INSWING ADJUSTABLE ALUMINUM THRESHOLD BY DLP	ALUM. / WOOD
35	SHOE MOULD 5/8" X 3/8"	WOOD
40	DOOR PANEL - SEE DOOR PANEL DETAIL SHEET FOR CONSTRUCTION DETAILS	-
41	DOOR SKIN (MIN. 0.075" THICK)	FIBERGLASS
42	TOP RAIL	CELLULAR/PVC
43	LATCH & HINGE STILE	CELLULAR/PVC
44	REINFORCEMENT WOOD FOR LOCKS (20" LONG)	WOOD
45	BOTTOM RAIL	CELLULAR/PVC
46	POLYURETHANE FOAM BY NAN YA	POLYURETHANE
47	CONTINUOUS LATCH & HINGE STILE REINFORCEMENT	WOOD
49	GLAZING COMPOUND	SILICONE
50	SIDELITE PANEL - SEE SIDELITE PANEL DETAIL SHEET FOR CONSTRUCTION DETAILS	SILICONE
51	SIDELITE TOP & BOTTOM RAIL BY NAN YA	CELLULAR/PVC
55	LIP LITE ODL/WESTERN REFLECTIONS HP	POLYPROPYLENE
56	GLAZING SPACER	ALUM.
57	#8 x 1-1/2" PFH LITE FRAME SCREW	STEEL



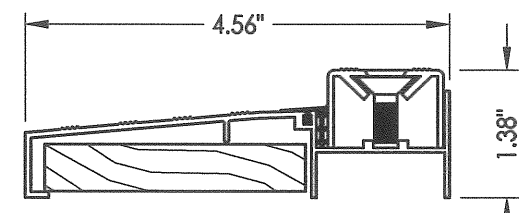
20 HEAD & SIDE Jamb



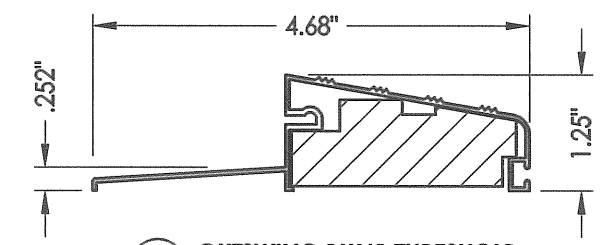
21 HEAD & SIDE Poly fiber jamb



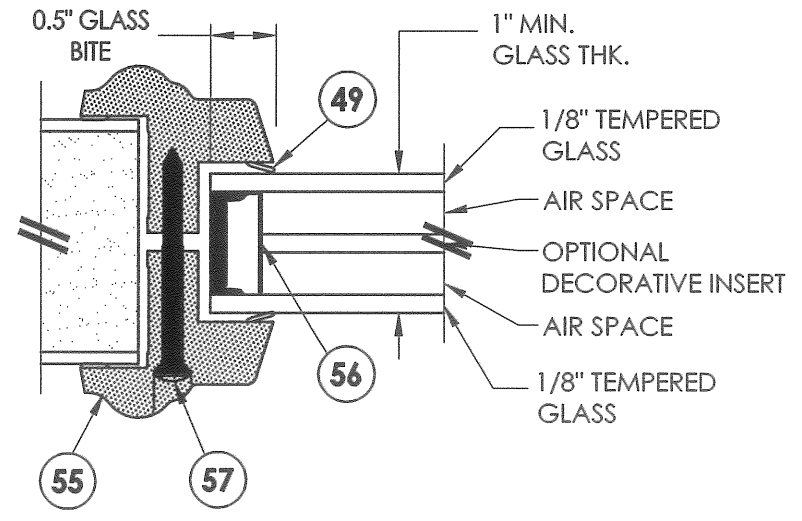
33 ADJUSTABLE INSWING THRESHOLD



34 ADJUSTABLE INSWING THRESHOLD



31 OUTSWING BUMP THRESHOLD



G1 GLAZING DETAIL

Documents Prepared By: R.W. BUILDING CONSULTANTS, INC.
P.O. Box 230 Valrico FL 33595
Phone No.: 813.659.9197
Florida Board of Professional Engineers
Certificate of Authorization No. 9813
Lynden F. Schmidt, P.E. No. 43409

PRODUCT: PLASTPRO INC. FIBERGLASS DOOR
PART OR ASSEMBLY: BILL OF MATERIALS, GLAZING DETAIL & COMPONENTS

NO.	DATE	BY	REVISIONS

DATE: 02/16/12
SCALE: N.T.S.
DWG. BY: JK
CHK. BY: LFS
DRAWING NO.: FL-15213.15
SHEET 9 OF 9

© 2012 R.W. BUILDING CONSULTANTS INC.